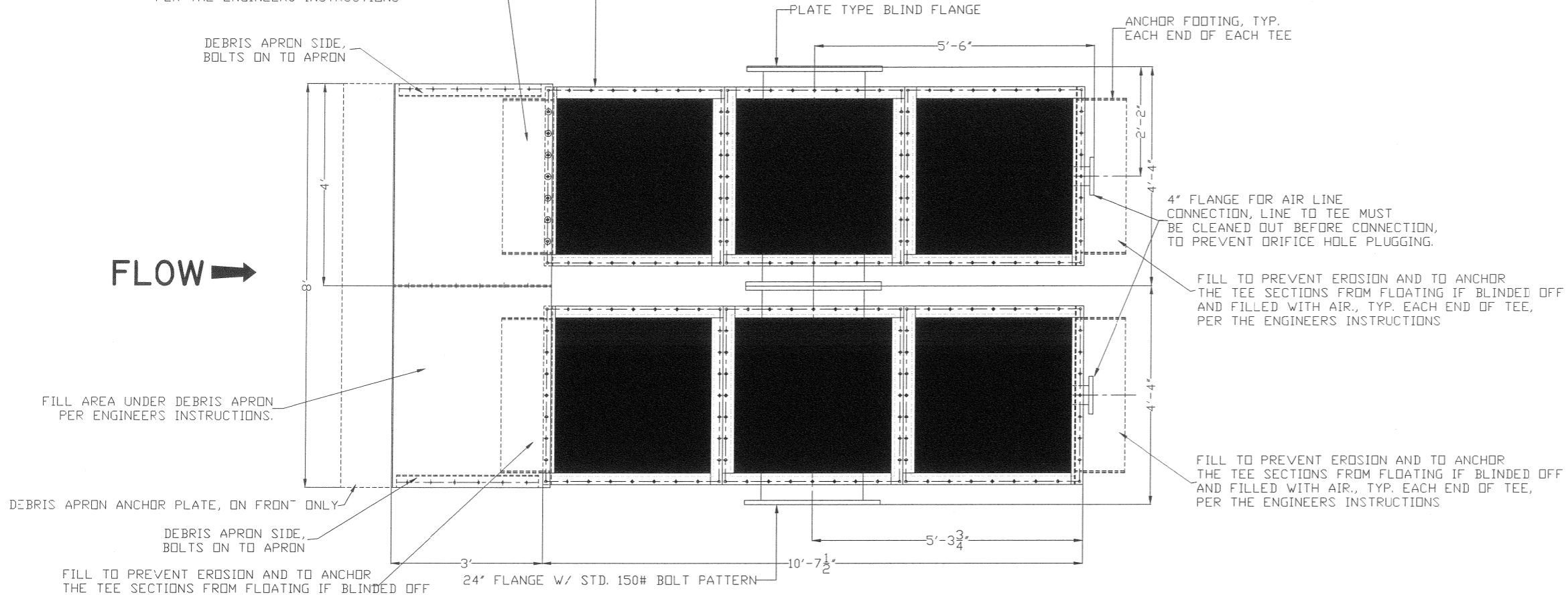


FILL TO PREVENT EROSION AND TO ANCHOR THE TEE SECTIONS FROM FLOATING IF BLINDED OFF AND FILLED WITH AIR., TYP. EACH END OF TEE, PER THE ENGINEERS INSTRUCTIONS

EACH TEE HAS THREE (3) REMOVABLE WIRE SCREENS THE SLOTS ARE PERPENDICULAR TO THE RIVER FLOW



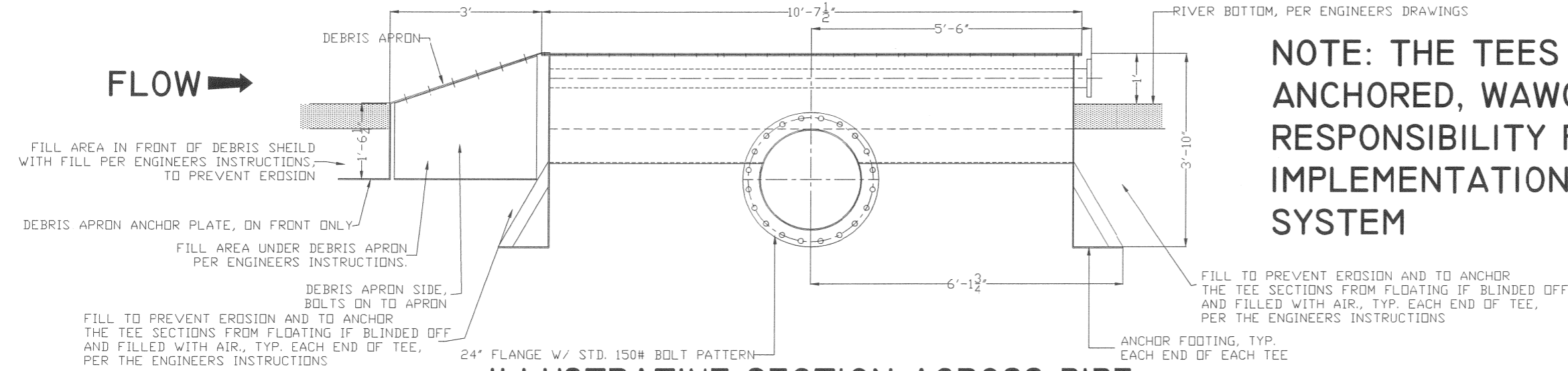
FLOW →

4" FLANGE FOR AIR LINE CONNECTION, LINE TO TEE MUST BE CLEANED OUT BEFORE CONNECTION, TO PREVENT ORIFICE HOLE PLUGGING.

FILL TO PREVENT EROSION AND TO ANCHOR THE TEE SECTIONS FROM FLOATING IF BLINDED OFF AND FILLED WITH AIR., TYP. EACH END OF TEE, PER THE ENGINEERS INSTRUCTIONS

FILL TO PREVENT EROSION AND TO ANCHOR THE TEE SECTIONS FROM FLOATING IF BLINDED OFF AND FILLED WITH AIR., TYP. EACH END OF TEE, PER THE ENGINEERS INSTRUCTIONS

PLAN VIEW



FLOW →

NOTE: THE TEES MUST BE PROPERLY ANCHORED, WAWCON, INC. TAKES NO RESPONSIBILITY FOR THE DESIGN AND IMPLEMENTATION OF THE ANCHOR SYSTEM

FILL TO PREVENT EROSION AND TO ANCHOR THE TEE SECTIONS FROM FLOATING IF BLINDED OFF AND FILLED WITH AIR., TYP. EACH END OF TEE, PER THE ENGINEERS INSTRUCTIONS

ANCHOR FOOTING, TYP. EACH END OF EACH TEE

ILLUSTRATIVE SECTION ACROSS PIPE

N.B.W. MEANS NOT BY WAWCON, INC.

THIS DRAWING AND ALL DATA ON IT IS PROVIDED ON A RESTRICTED BASIS BY WAWCON, INC. DRIPPING SPRINGS, TX AND SHALL IN NO WAY BE RELEASED OR USED IN ANY WAY THAT MAY BE DETRIMENTAL TO THE INTEREST OF WAWCON, INC., DRIPPING SPRINGS, TX.

tolerances	USER EQUIP. No.		
decimal ±	WAWCON, INC DRIPPING SPRINGS, TX	scale N/A	drawn by GWH
fractional ±	title SPRING CITY, TN WATER INTAKE FLAT TEES		
angular ±	date 05/5/2009	drawing number 2009-05-01A	