

INSTALL SUPPORT BEAMS #1-31, ON TOP OF BEAMS THAT ARE BOLTED TO THE BRIDGE. BE SURE TO TURN BEAMS SO MOUNTING HOLES FOR HANGER RODS ARE IN THE LOCATIONS SHOWN, ON SHEET 5E PLAN VIEW

LOCATE SUPPORT BEAMS #1-27, UNDER THE BRIDGE, BOLT TO THE BOTTOM OF THE BRIDGE, BE SURE THE BEAMS ARE TURNED SO SUPPORT HANGER RODS ARE IN THE POSITIONS SHOWN, ON SHEET 5E, PLAN VIEW TYPICAL TWO #1-27 PER UNIT

RECIRCULATOR DRIVE, SEE SECTION 'G' FOR MORE DETAIL

RECIRCULATOR DRIVE SUPPORT #1-93

LOCATE SUPPORT BEAMS #1-27, UNDER THE BRIDGE, BOLT TO THE BOTTOM OF THE BRIDGE, BE SURE THE BEAMS ARE TURNED SO SUPPORT HANGER RODS ARE IN THE POSITIONS SHOWN, ON SHEET 5E, PLAN VIEW TYPICAL TWO #1-27 PER UNIT

TWO RAIL ALUMINUM HANRAIL W/ TDE PLATE, SEE HANRAIL DETAILS

BRIDGE SLIDE PLATES, SEE PLAN VIEW FOR TRUE ORIENTATION

CONC. OUTLET BOX N.B.W., SEE PLAN VIEW FOR TRUE ORIENTATION

SET TOP OF CONE AT EL 474.10'

(4) CAGE HANGERS #1-8, BOLT TO OUTSIDE OF GEAR PADS AND TO TOP OF CAGE.

ELEVATION OF OUTER TOP OF SEGMENTED COLLECTION TROUGH IS 474.02 +/-

UNDER RADIAL OUTLET TROUGH INSTALL TIE ROD BRACKET #1-82,

1/2" S.S. TIE RODS, WITH 1/2"x6" S.S., JXJ TURNBUCKLES, JAMB NUTS, COUPLING NUT, REPLACE TURNBUCKLE PINS WITH SUPPLIED BOLTS, NUTS & WASHERS FIELD CUT TIE RODS TO LENGTH. TIE RODS ARE FOR STABILIZATION OF CONE, DO NOT OVER TIGHTEN.

NOTE: STEEL CONE, ASSEMBLE CONE ON GROUND, WITH SPLICE PLATES #1-51 ON OUTSIDE OF SLOPED PART, #1-52 ON OUTSIDE OF VERTICAL PART, AND #1-53 ON TOP OF TOP TRIM ANGLE. BE SURE TO USE MATCHING CONE SECTIONS, THEN RAISE CONE AND SUPPORT FROM HANGER RODS.

COLLECTOR ARM #1-15

OUTER FLIGHTS #1-20, INNER FLIGHTS #1-21 & SS SQUEEGEES #1-25

FOUR (4) SAMPLE LINE WALL SPOOLS, N.B.W. ON INSIDE OF BASIN, WAWCON, INC. WILL SUPPLY FOUR (4), 3/4" S.S. SAMPLE LINES, WITH S.S. SUPPORTS, ONE LINE TO LOWER PART OF SLUDGE BLANKET BY WALL, ONE TO INSIDE OF CONE, ONE IN UPPER PART OF CLARIFICATION ZONE, AND ONE AT THE APPROXIMATE MIDDLE OF SLUDGE BLANKET

INSTALL A 3/4"x6" PIPE NIPPLE AND A 90 DEG. ELBOW ON EACH WALL PIPE, ALL S.S., THEN INSTALL SAMPLE LINES AS SHOWN. CHECK WITH OPERATOR FOR LOCATIONS DESIRED.

T.O.C. EL 475.50

STAINLESS STEEL SEGMENTED COLLECTION TROUGH, SEE DETAILS

TYPICAL S.S. RADIAL COLLECTION TROUGH, #1-89, SET TOP OF TROUGH LEVEL @ EL 473.85

A.W.S. EL 473.60

CARBON STEEL TROUGH SUPPORT, #1-77, TYP. AT ALL FIVE TYPICAL RADIAL TROUGHS, SET TOP OF SUPPORT @ EL 472.60

PIER OUTLET PORTS

HYDROFOIL IMPELLER, SEE SECTION 'G'

48" DIAMETER CENTER PIER, #1-3, SET PIER PLUMB WITH TOP OF PIER @ EL 474.65'

S.S. RADIAL COLLECTOR AND OUTLET TROUGH, #1-88

3/4" X 33"

TIE RODS

3/4" X 19"

DRIVE CAGE, #1-7

RECIRCULATION INLET PORTS

12" INLET PIPE, N.B.W.

3/4" X 108"

COLLECTOR ARM W/ FLIGHTS AND SQUEEGEES

3/4" X 98"

12" INLET PIPE, N.B.W.

2" GROUT, N.B.W.

TYPICAL, 10" W X 11" DP. S.S. RADIAL COLLECTION TROUGH, #1-89, SET TOP OF TROUGH LEVEL @ EL 473.85

CENTERLINE

A.W.S. EL 473.60

CENTERLINE OF ORIFICE HOLES

S.S. JACK BOLTS, W/ NUT AND WASHER ON ALL SIDES.

CARBON STEEL SUPPORT, #1-77, SET TOP @ EL 472.60

WEDGE ANCHORS

TIE ROD BRACKET

SECTION 'F' TYPE FIVE PLACES PER UNIT

INSTALL NUT AND WASHER ON EACH SIDE OF PIER LOWER FLANGE, GROUT UNDER PIER ONLY AFTER FINAL CHECKOUT BY WAWCON, INC.

NOTE: SUPPORT CONE FROM LOWER BEAMS # 1-27 WITH 7/8" X 12-3/4" ALL-THREAD, USE 7/8" X 24-3/4" ALL-THREAD FOR CONE TO UPPER BEAMS, #1-31, USE NUT AND WASHER ON ALL SIDES, BE SURE TO INSTALL BACKING PLATES #1-69 UNDER CONE TOP TRIM ANGLE.

ILLUSTRATIVE SECTION SEE PLAN VIEWS FOR TRUE ORIENTATION

SLUDGE HOPPER

SLUDGE PIPE, N.B.W.

CAGE #1-7

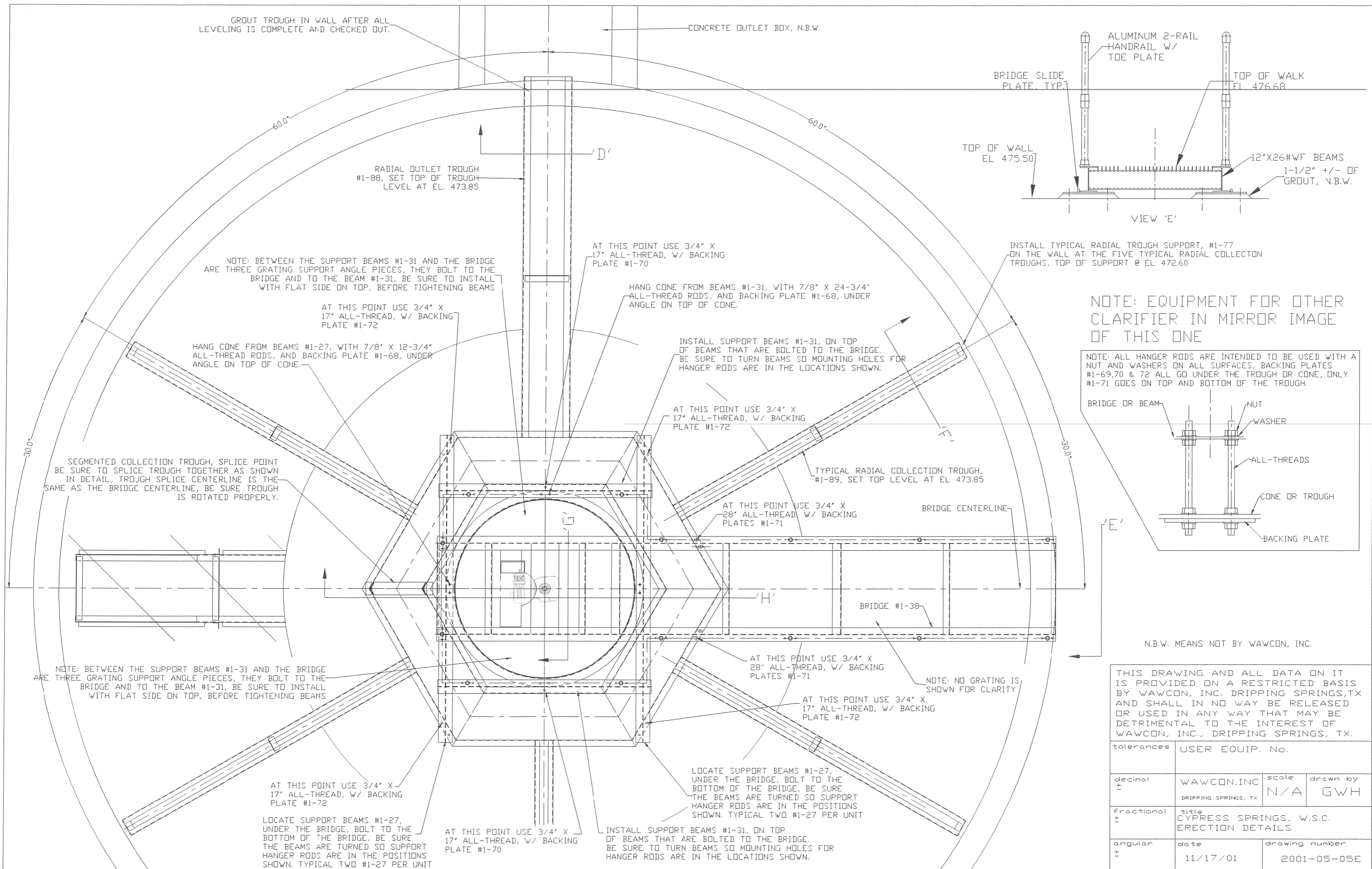
1" X 8" ALL-THREAD RODS, WITH 4-NUTS & 4-WASHERS #1-17,18 & 19

COLLECTOR ARM, #1-15

N.B.W. MEANS NOT BY WAWCON, INC.

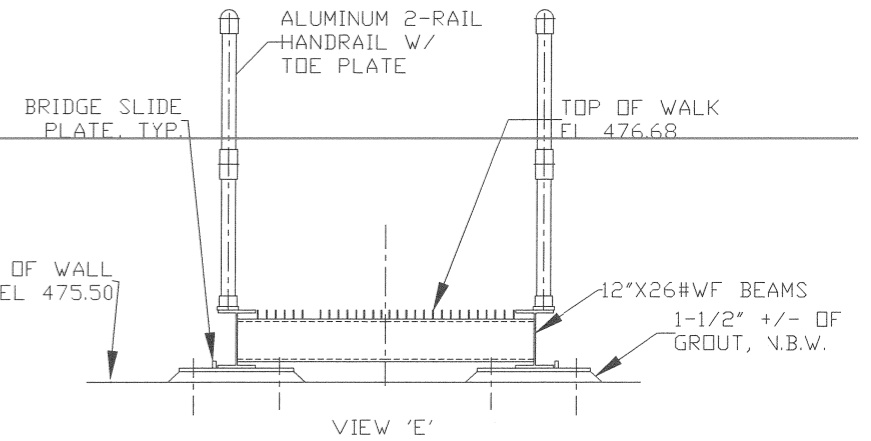
THIS DRAWING AND ALL DATA ON IT IS PROVIDED ON A RESTRICTED BASIS BY WAWCON, INC. DRIPPING SPRINGS, TX AND SHALL IN NO WAY BE RELEASED OR USED IN ANY WAY THAT MAY BE DETRIMENTAL TO THE INTEREST OF WAWCON, INC., DRIPPING SPRINGS, TX.

tolerances	USER EQUIP. No.		
decimal	WAWCON, INC	scale	drawn by
	DRIPPING SPRINGS, TX	N/A	GWH
fractional	title		
	CYPRESS SPRINGS, W.S.C. ERECTION DETAILS		
angular	date	drawing number	
	11/19/01	2001-05-04E	



GROUT TROUGH IN WALL AFTER ALL LEVELING IS COMPLETE AND CHECKED OUT.

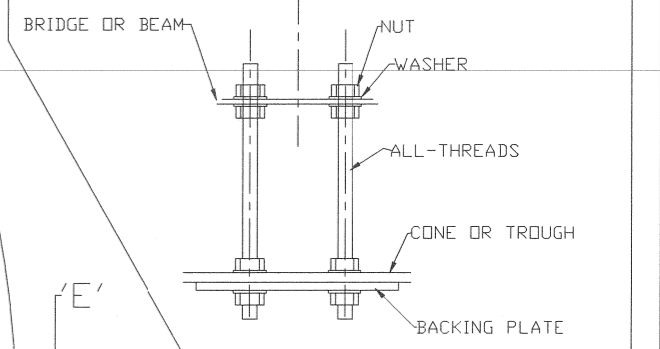
CONCRETE OUTLET BOX, N.B.W.



INSTALL TYPICAL RADIAL TROUGH SUPPORT, #1-77 ON THE WALL AT THE FIVE TYPICAL RADIAL COLLECTION TROUGH, TOP OF SUPPORT @ EL 472.60

NOTE: EQUIPMENT FOR OTHER CLARIFIER IN MIRROR IMAGE OF THIS ONE

NOTE: ALL HANGER RODS ARE INTENDED TO BE USED WITH A NUT AND WASHERS ON ALL SURFACES, BACKING PLATES #1-69,70 & 72 ALL GO UNDER THE TROUGH OR CONE, ONLY #1-71 GOES ON TOP AND BOTTOM OF THE TROUGH.



N.B.W. MEANS NOT BY WAWCON, INC.

THIS DRAWING AND ALL DATA ON IT IS PROVIDED ON A RESTRICTED BASIS BY WAWCON, INC. DRIPPING SPRINGS, TX AND SHALL IN NO WAY BE RELEASED OR USED IN ANY WAY THAT MAY BE DETRIMENTAL TO THE INTEREST OF WAWCON, INC., DRIPPING SPRINGS, TX.

tolerances	USER EQUIP. No.		
decimal ±	WAWCON, INC DRIPPING SPRINGS, TX	scale N/A	drawn by GWH
fractional ±	title CYPRESS SPRINGS, W.S.C. ERECTION DETAILS		
angular ±	date 11/17/01	drawing number 2001-05-05E	

NOTE: BETWEEN THE SUPPORT BEAMS #1-31 AND THE BRIDGE ARE THREE GRATING SUPPORT ANGLE PIECES, THEY BOLT TO THE BRIDGE AND TO THE BEAM #1-31, BE SURE TO INSTALL WITH FLAT SIDE ON TOP, BEFORE TIGHTENING BEAMS

AT THIS POINT USE 3/4" X 17" ALL-THREAD, W/ BACKING PLATE #1-72

HANG CONE FROM BEAMS #1-27, WITH 7/8" X 12-3/4" ALL-THREAD RODS, AND BACKING PLATE #1-68, UNDER ANGLE ON TOP OF CONE.

AT THIS POINT USE 3/4" X 17" ALL-THREAD, W/ BACKING PLATE #1-70

HANG CONE FROM BEAMS #1-31, WITH 7/8" X 24-3/4" ALL-THREAD RODS, AND BACKING PLATE #1-68, UNDER ANGLE ON TOP OF CONE.

INSTALL SUPPORT BEAMS #1-31, ON TOP OF BEAMS THAT ARE BOLTED TO THE BRIDGE. BE SURE TO TURN BEAMS SO MOUNTING HOLES FOR HANGER RODS ARE IN THE LOCATIONS SHOWN.

AT THIS POINT USE 3/4" X 17" ALL-THREAD, W/ BACKING PLATE #1-72

TYPICAL RADIAL COLLECTION TROUGH, #1-89, SET TOP LEVEL AT EL 473.85

AT THIS POINT USE 3/4" X 28" ALL-THREAD, W/ BACKING PLATES #1-71

SEGMENTED COLLECTION TROUGH, SPLICE POINT BE SURE TO SPLICE TROUGH TOGETHER AS SHOWN IN DETAIL, TROUGH SPLICE CENTERLINE IS THE SAME AS THE BRIDGE CENTERLINE, BE SURE TROUGH IS ROTATED PROPERLY.

NOTE: BETWEEN THE SUPPORT BEAMS #1-31 AND THE BRIDGE ARE THREE GRATING SUPPORT ANGLE PIECES, THEY BOLT TO THE BRIDGE AND TO THE BEAM #1-31, BE SURE TO INSTALL WITH FLAT SIDE ON TOP, BEFORE TIGHTENING BEAMS

AT THIS POINT USE 3/4" X 17" ALL-THREAD, W/ BACKING PLATE #1-72

LOCATE SUPPORT BEAMS #1-27, UNDER THE BRIDGE, BOLT TO THE BOTTOM OF THE BRIDGE, BE SURE THE BEAMS ARE TURNED SO SUPPORT HANGER RODS ARE IN THE POSITIONS SHOWN. TYPICAL TWO #1-27 PER UNIT

AT THIS POINT USE 3/4" X 17" ALL-THREAD, W/ BACKING PLATE #1-70

INSTALL SUPPORT BEAMS #1-31, ON TOP OF BEAMS THAT ARE BOLTED TO THE BRIDGE. BE SURE TO TURN BEAMS SO MOUNTING HOLES FOR HANGER RODS ARE IN THE LOCATIONS SHOWN.

AT THIS POINT USE 3/4" X 28" ALL-THREAD, W/ BACKING PLATES #1-71

AT THIS POINT USE 3/4" X 17" ALL-THREAD, W/ BACKING PLATE #1-72

NOTE: NO GRATING IS SHOWN FOR CLARITY